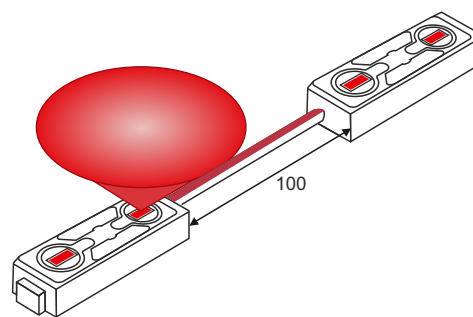
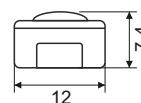
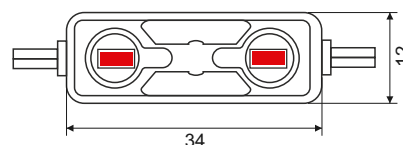


# MINI LED MODULE GOQ 2xLED

5252 SMD 0.48 W RED

**0.48W** IP68



## TECHNICAL DATA DANE TECHNICZNE / TECHNISCHE DATEN

Product No.:	GOQ MINI LED (RED)
LED Dimension: Wymiary diody / Diodenabmessungen	5252 type (5.2 x 5.2 x 1.8mm)
Rated Power: Moc znamionowa / Nennleistung	0.48 W
Input Voltage: Napięcie zasilania / Spannungsversorgung	12 V DC
Input Current: Prąd wejściowy / Eingangsstrom	40 mA
View Angle: Kąt świecenia / Abstrahlwinkel	150°
Luminous Intensity: Strumień świetlny / Lichtstrom	6 lm (typ.)
CRI:	80

Module Pitch: Podział modułu / Modulplatz	100 mm
Size: Wymiar / Größe	34 x 11.6 x 8.5 mm
Weight: Waga / Gewicht	3.8 g
Max. in Series: Max. w szeregu / Maximale in Serie	50 EA
Operating Temperature: Temperatura pracy / Arbeitstemperatur	-30 ~ 85° C
Storage Temperature: Temperatura przechowywania / Lagertemperatur	-40 ~ 100° C
IP	68
Cable: Przewód / Kabel	UL, 20AWG 300V/80° C



# MINI LED MODULE GOQ 2xLED

5252 SMD 0.48 W RED

## Absolute Maximum Ratings

(Ta=25° C)

Item	Symbol	Absolute Maximum Rating	Unit
Forward Current	$I_F$	60	mA
Pulse Forward Current *1)	$I_{FP}$	180	mA
Reverse Voltage	$V_R$	5	V
Power Dissipation	$P_D$	132	mW
Operating Temperature	$T_{opr}$	-30 ~ 85° C	° C
Storage Temperature	$T_{stg}$	-40 ~ 100° C	° C

\*1)  $I_{FP}$  conditions : Pulse with  $t_w \leq 0,1$  ms, Duty ratio  $\leq 1/10$

\* These values are based on 3 die performance

## Electro-Optical Characteristics

(Ta=25° C)

Item	Symbol	Condition	Min.	Typ.	Max.	Unit
Forward Voltage	VF1	$I_f=40\text{mA}$	2.0		2.2	V
	VF2	$I_f=10\text{uA}$	1.5		2.0	
Luminous intensity	V	$I_f=40\text{mA}$	1400		1600	Mcd
Color Temperature	WD	$I_f=40\text{mA}$	619		626	nm
Reverse Voltage (1-die)	$I_R$	$V_R=5\text{V}$			10	uA
Half Angle	$\theta_{1/2}$	$I_f=40\text{mA}$		$\pm 60$		Deg

## Viewing Radiation Characteristic

