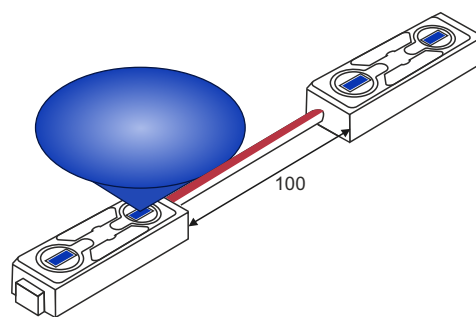
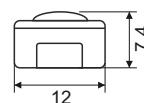
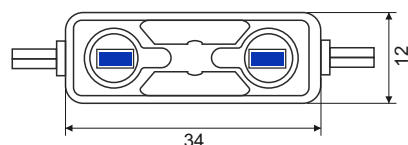


MINI LED MODULE GOQ 2xLED

5252 SMD 0.48 W BLUE

0.48W IP68



TECHNICAL DATA DANE TECHNICZNE / TECHNISCHE DATEN

Product No.:	GOQ MINI LED (BLUE)
LED Dimension: Wymiary diody / Diodenabmessungen	5252 type (5.2 x 5.2 x 1.8mm)
Rated Power: Moc znamionowa / Nennleistung	0.48 W
Input Voltage: Napięcie zasilania / Spannungsversorgung	12 V DC
Input Current: Prąd wejściowy / Eingangsstrom	40 mA
View Angle: Kąt świecenia / Abstrahlwinkel	150°
Luminous Intensity: Strumień świetlny / Lichtstrom	5 lm (typ.)
CRI:	80

Module Pitch: Podział modulu / Modulplatz	100 mm
Size: Wymiar / Größe	34 x 11.6 x 8.5 mm
Weight: Waga / Gewicht	3.8 g
Max. in Series: Max. w szeregu / Maximale in Serie	50 EA
Operating Temperature: Temperatura pracy / Arbeitstemperatur	-30 ~ 85° C
Storage Temperature: Temperatura przechowywania / Lagertemperatur	-40 ~ 100° C
IP	68
Cable: Przewód / Kabel	UL, 20AWG 300V/80° C



MINI LED MODULE GOQ 2xLED

5252 SMD 0.48 W BLUE

Absolute Maximum Ratings

(Ta=25° C)

Item	Symbol	Absolute Maximum Rating	Unit
Forward Current	I _F	60	mA
Pulse Forward Current *1)	I _{FP}	180	mA
Reverse Voltage	V _R	5	V
Power Dissipation	P _D	128	mW
Operating Temperature	T _{opr}	-30 ~ 85° C	° C
Storage Temperature	T _{stg}	-40 ~ 100° C	° C

*1) I_{FP} conditions : Pulse with tw ≤ 0,1 ms, Duty ratio ≤ 1/10

* These values are based on 3 die performance

Electro-Optical Characteristics

(Ta=25° C)

Item	Symbol	Condition	Min.	Typ.	Max.	Unit
Forward Voltage	VF1	I _F =40mA	3.0		3.2	V
	VF2	I _F =10uA	1.5		2.0	
Luminous intensity	I _v	I _F =40mA	400		600	Mcd
Color Temperature	WD	I _F =40mA	450		454	nm
Reverse Voltage (1-die)	I _R	V _R =5V			10	uA
Half Angle	θ _{1/2}	I _F =40mA		±60		Deg

Viewing Radiation Characteristic

