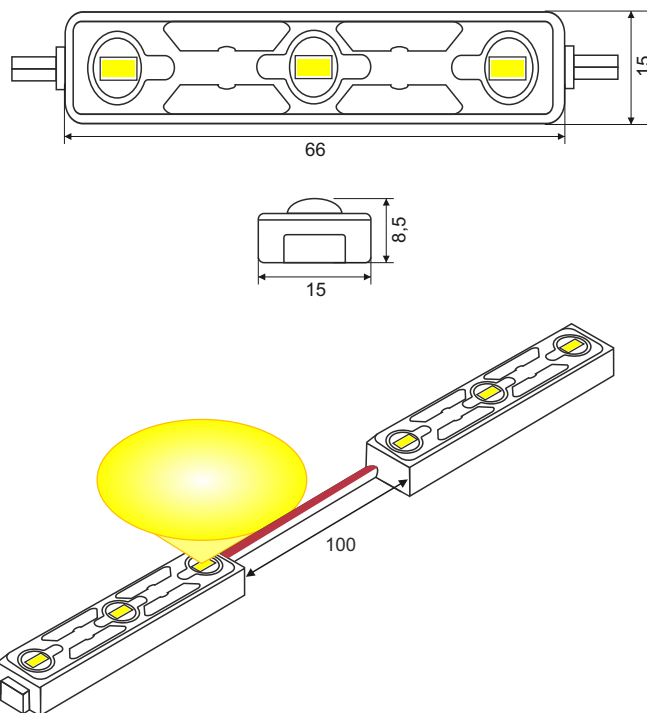


# LED MODULE GOQ 3xLED

5252 SMD 0.72W RGB 150°



**0.72W** IP68



## TECHNICAL DATA DANE TECHNICZNE / TECHNISCHE DATEN

Product No.:	GOQ RGB 3 LED
LED Dimension: Wymiary diody / Diodenabmessungen	5252 type
Rated Power: Moc znamionowa / Nennleistung	0.72 W
Input Voltage: Napięcie zasilania / Spannungsversorgung	12 V DC
Input Current: Prąd wejściowy / Eingangsstrom	60 mA
View Angle: Kąt świecenia / Abstrahlwinkel	150°
Luminous Intensity: Strumień świetlny / Lichtstrom	-
CRI:	80

Module Pitch: Podział modułu / Modulplatz	100 mm
Size: Wymiar / Größe	66 x 15 x 8.5mm
Weight: Waga / Gewicht	8 g
Max. in Series: Max. w szeregu / Maximale in Serie	50 EA
Operating Temperature: Temperatura pracy / Arbeitstemperatur	-30 ~ 85° C
Storage Temperature: Temperatura przechowywania / Lagertemperatur	-40 ~ 100° C
IP	68
Cable: Przewód / Kabel	UL, 20AWG 300V/80° C



# LED MODULE GOQ 3xLED

5252 SMD 0.72W RGB 150°

## Absolute Maximum Ratings

Item	Symbol	Absolute Maximum Rating			Unit
		Blue	Green	Red	
Forward Current	$I_F$	30	30	30	mA
*1 Pulse Forward Current	$I_{FP}$	90	90	90	mA
Reverse Voltage	$V_R$		5		V
Power Dissipation	$P_D$	66	102	102	mW
Operating Temperature	$T_{opr}$	-30 ~ 85° C			° C
Storage Temperature	$T_{sto}$	-40 ~ 100° C			° C

\*1)  $I_{FP}$  conditions: Pulse with  $tw \leq 0.1ms$  Duty ratio  $\leq 1/10$

\*) Care is to be taken that Power Dissipation dose not exceed the Absolute Maximum Rating of the product

## Electro-Optical Characteristic

( $T_a = 25^\circ C$ )

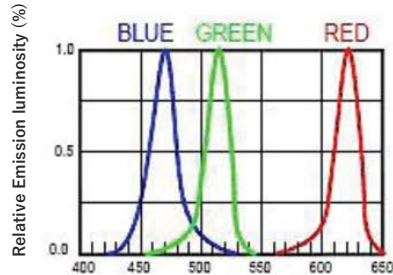
Parametr	Color	Symbol	Test Condition	Min	Max	Units
Forward Voltage*1	Red	$V_F$	$I_F = 20mA$	1.8	2.2	V
	Green			3.0	3.4	
	Blue			2.96	3.4	
Luminous Intensity*2	Red	$I_v$	$I_F = 20mA$	500	700	mcd
	Green			1100	1400	
	Blue			250	350	
Dominant Wavelength*3	Red	$W_D$	$I_F = 20mA$	618	622	nm
	Green			522	526	
	Blue			457	462	

\*1) Voltage are tested at a current pulse duration of 1ms and an accuracy of  $\pm 0.05V$

\*2) Luminous Intensity is tested at a current pulse duration of 10ms and accuracy of  $\pm 10\%$

\*3) The measurement tolerance of the dominant wavelength is 2nm

## Spectrum



Wavelength  $\lambda$  (nm)

## Viewing Radiation Characteristics

