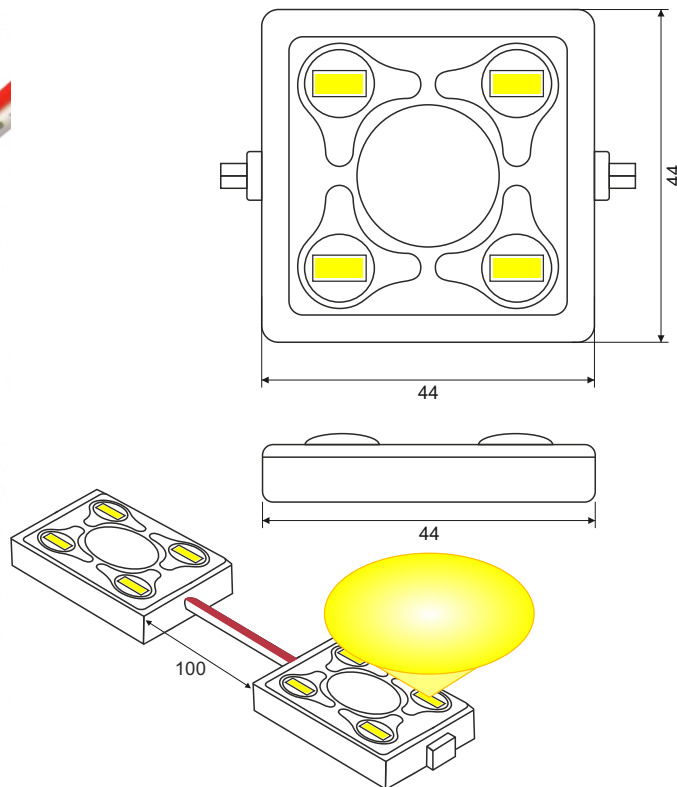


LED MODULE GOQ 4xLED

5630 SMD 2.16W 11000K 150°



TECHNICAL DATA DANE TECHNICZNE / TECHNISCHE DATEN

Product No.:	GOQ 4 LED (WHITE)
LED Dimension: Wymiary diody / Diodenabmessungen	5630 type
Rated Power: Moc znamionowa / Nennleistung	2.16 W
Input Voltage: Napięcie zasilania / Spannungsversorgung	12 V DC
Input Current: Prąd wejściowy / Eingangsstrom	180 mA
View Angle: Kąt świecenia / Abstrahlwinkel	150°
Luminous Intensity: Strumień świetlny / Lichtstrom	160 lm (Typ.)
CRI:	80

Module Pitch: Podział modulu / Modulplatz	100 mm
Size: Wymiar / Größe	44 x 44 x 9mm
Weight: Waga / Gewicht	11 g
Max. in Series: Max. w szeregu / Maximale in Serie	50 EA
Operating Temperature: Temperatura pracy / Arbeitstemperatur	-30 ~ 85° C
Storage Temperature: Temperatura przechowywania / Lagertemperatur	-40 ~ 100° C
IP	68
Cable: Przewód / Kabel	UL, 20AWG 300V/80° C



LED MODULE GOQ 4xLED

5630 SMD 2.16 W 11000 K 150°

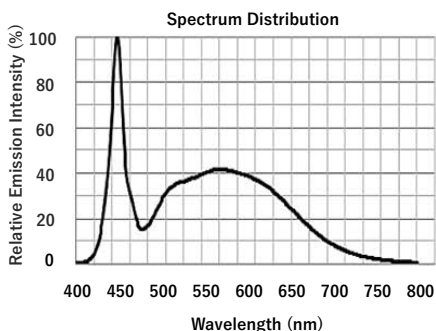
Absolute Maximum Ratings

Item	Symbol	Rating	Condition
Operating temperature range	T_{op}	-40 ~ 85° C	-
Storage temperature range	T_{stg}	-40 ~ 120° C	-
LED junction temperature	T_j	110° C	-
Forward Current	I_F	150 mA	-
Peak Pulsed Forward Current	I_{FP}	300 mA	Duty 1 / 10 pulse width 10 ms
Thermal resistance	$R_{th j-s}$	16° C / W	Junction to solder point
Assembly Process Temperature	-	260° < 10 sec	-
ESD	-	5kV	HBM

Characteristics

Item	Unit	Nominal CCT	Product Code	Rank	Min	Typ	Max
Forward Voltage ¹⁾ (V_F) (@65 mA, $T_s = 25^\circ C$)	V	-	-	AZ	2,70	-	2,80
				A1	2,80	-	2,90
				A2	2,90	-	3,00
				A3	3,00	-	3,10
				A4	3,10	-	3,20
Luminous Intensity ²⁾ (I_v) (@65 mA, $T_s = 25^\circ C$)	lm	10000K	*WAAUSO	S0	24,0	-	31,5
Reverse Voltage (@5 mA, $T_s = 25^\circ C$)	V	-	-	-	0,7	-	1,2

Spectrum ($T_s=25^\circ C$)



Viewing Radiation Characteristic

